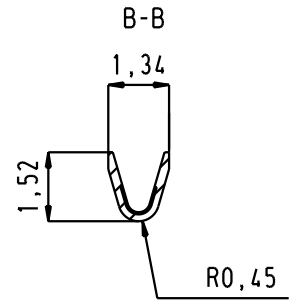
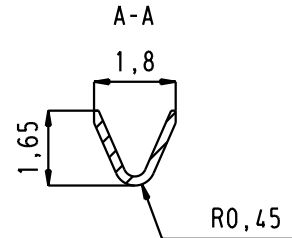
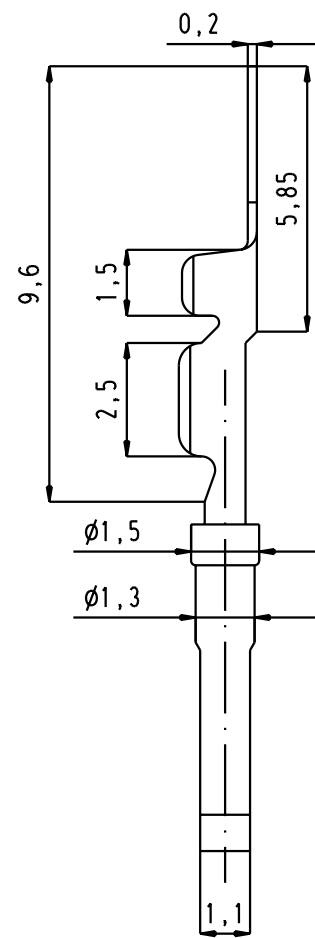
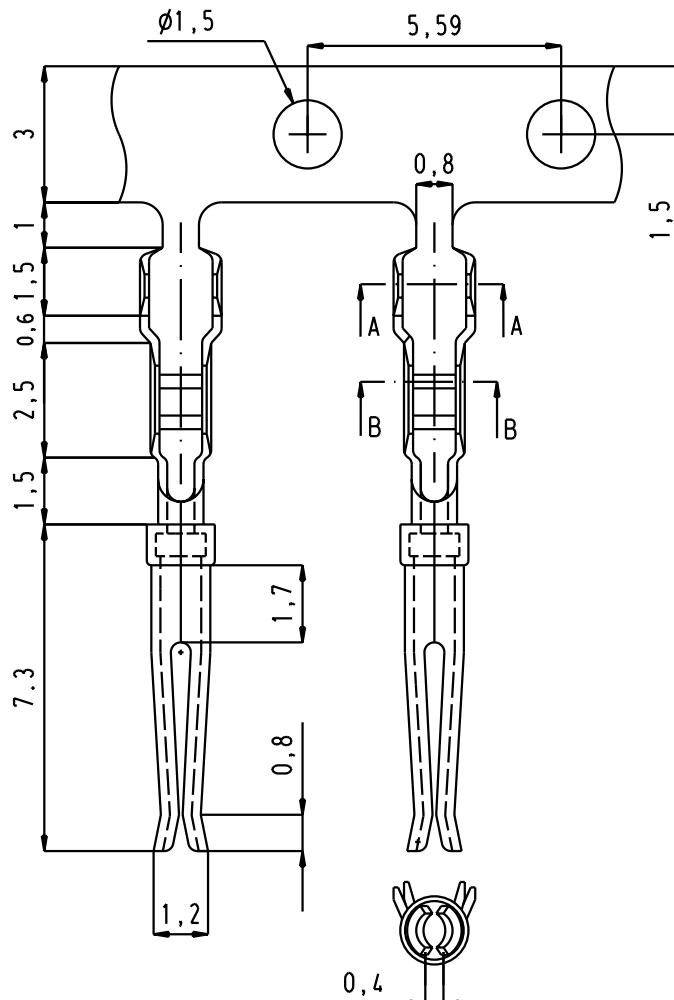




Product details

09 56 000 8277 **High density crimp contacts**

- Contact gender stamped female contact
- Wire gauge AWG 26-24; 0,14-0,22mm²
- Performance Class Performance level 3
- Packaging Individual contacts, 500 pieces/box
- Crimp tool HARTING crimp tool 09 99 000 0596
- RoHS compliant Yes



D

C

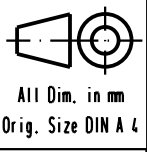
B

A

09560008275	0.76 µm Au
09560008277	3
Part number	Performance level

31376	20-JAN-03	S.H.
Mod.	Dat.	Name

	Dat.	Name
Detail.	20-JAN-03	S.H.
Insp.		
Stand.		



D-Sub, high density,
stamped female contact
for AWG 24-26
500 pcs bulk in plastic bag

Maßstab/
Scale
6 : 1

HARTING EUROL
F-95972 Paris



TB 0956000827x

Sub.

Blatt/ Page
1 /